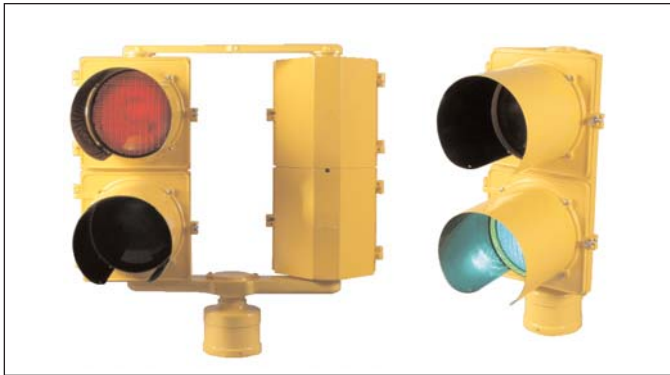


TRAFFIC SIGNALS FOR TRUCK AND RAIL SCALES



Thurman Scale Traffic Signals are designed for low maintenance and increased durability.

APPLICATIONS

- Truck Scale Weigh Stations
- Railroad Track Scale Weigh Stations
- Automatic Scale Traffic Control
- Manual Scale Traffic Control

FEATURES

- Configured for one- or two-way traffic.
- Highly visible, incandescent light projection.
- Corrosion resistant finish.
- Designed for quick and easy pole mounting.
- Exceptional grade die cast from aluminum alloy.
- Injection molded lenses from ultraviolet and heat stabilized, flame retardant, and permanently colored polycarbonate resins.
- Housing molded with a 72 tooth, serrated boss for maximum adjustment.
- Housing molded with reinforcing ribs on top and bottom for maximum strength.
- Enclosure top and bottom features opening that accepts standard 1.5 inch pipe mounting hardware.
- Enclosure includes two integrated hinge lugs, mounted to the housing with two stainless steel hinge pins per light.
- Positive latching with stainless steel eyebolt and wing nut assemblies.

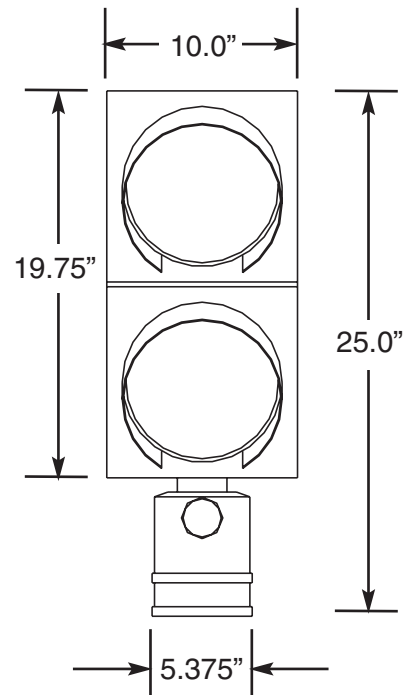
- Moisture- and dust-tight atmosphere obtained through EPDM rubber gasket fitted into the cast gasket channel.
- All exterior surfaces of the housing, door, visors and back plates are cleaned and powder coated to the highest industry standards providing exceptional resistance to impact and weather.

PERFORMANCE SPECIFICATIONS

Construction	Corrosion resistant, cast aluminum housing
Lens	8" polymer
Lens visor	Metal, unidirectional
Lamp	69 watt, incandescent
Lamp life	18,000 hours
Control box	Automatic or manual

Accessories/Options	<ul style="list-style-type: none"> • Slipfitter for 4.5" pole • 4.5" x 8' aluminum traffic pole with natural finish • Square, aluminum pole base • Complete installation kits
---------------------	---

DIMENSIONS (IN INCHES)



At A Glance™

Models and specifications subject to change without notice.
Printed in the USA. © Thurman Scale
www.thurmanscale.com

Call toll-free for the Thurman representative nearest you:
(800) 688-9741