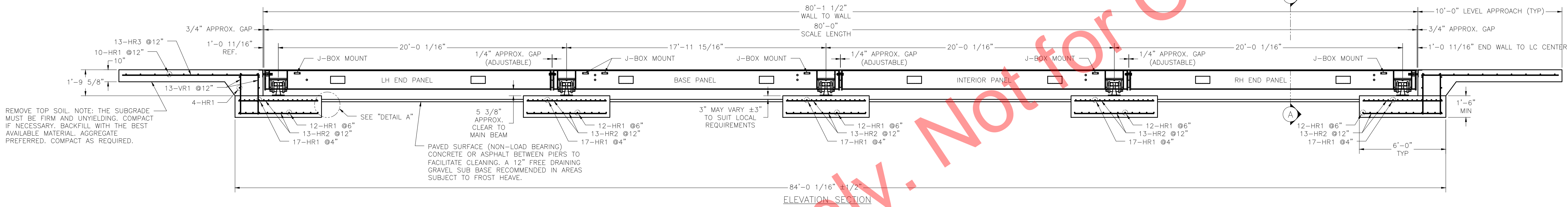
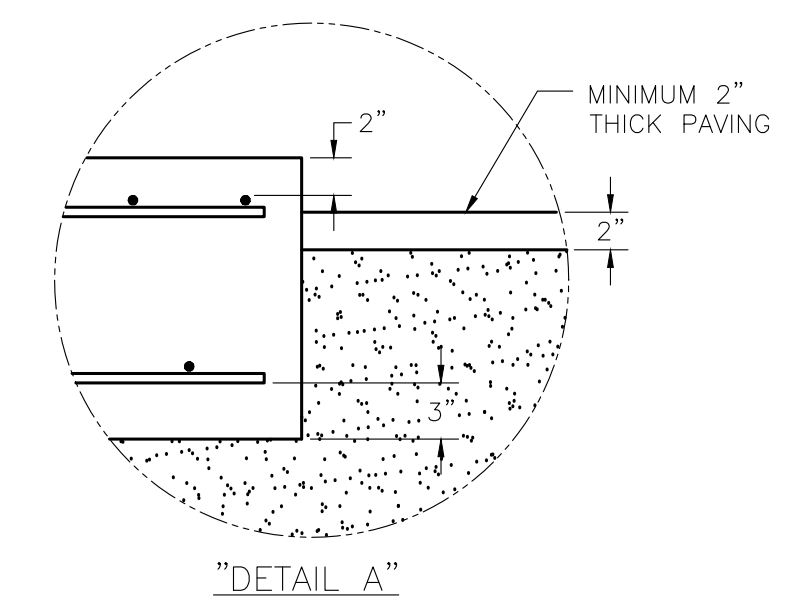


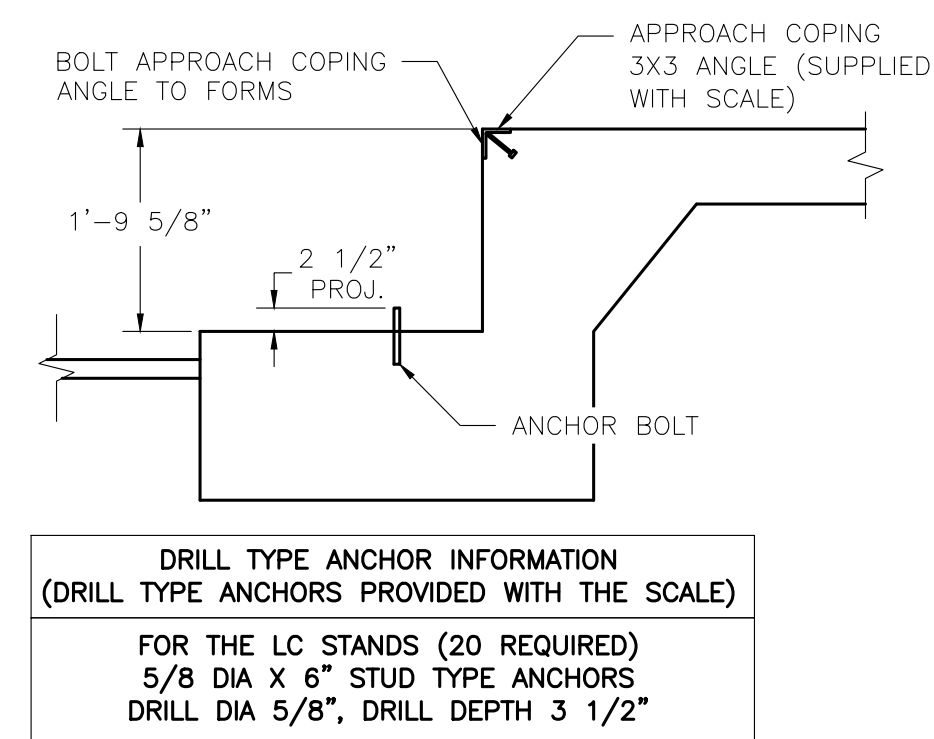
PLAN VIEW



ELEVATION SECTION



- NOTES:
- FOUNDATION SHOWN IS DESIGNED FOR SOILS WITH A MINIMUM BEARING CAPACITY OF 3000 PSF AND ADEQUATE DRAINAGE. IF SOIL CONDITIONS DO NOT MEET THESE REQUIREMENTS, ADJUST FOUNDATION OR SOIL CONDITIONS AS REQUIRED.
 - IN AREAS OF THE COUNTRY WHERE THERE IS SEVERE FREEZING, INCREASE THE DEPTH OF THE FOUNDATION SO THAT THE BOTTOM EXTENDS BELOW THE FROST LINE, OR PROVIDE A MINIMUM OF 12" FREE DRAINING GRANULAR MATERIAL TO PREVENT FROST HEAVE.
 - N.I.S.T. H-44 REQUIREMENTS AND LOCAL WEIGHTS AND MEASURES REGULATIONS MAY REQUIRE INSTALLATION PARAMETERS SOMEWHAT DIFFERENT THAN ILLUSTRATED ON THIS PLAN. IN ORDER TO INSURE COMPLIANCE, CONSULT THE LOCAL WEIGHTS & MEASURES OFFICE PRIOR TO CONSTRUCTION.
 - REFER TO SCALE MANUAL FOR INSTALLATION AND OPERATION INSTRUCTIONS.
 - A MINIMUM OF 24" OF CLEARANCE IS REQUIRED ON JUNCTION BOX SIDE OF THE SCALE NEAR THE BOX MOUNTS.



FOUNDATION CONCRETE	
4000 PSI MINIMUM	
LOCATION	QTY (CU. YDS)
PIERS AS SHOWN	22
APPROACHES	10.5
FLOOR AT 2" THICK	4
TOTAL CONCRETE	36.5 CU. YDS.

FOUNDATION REINFORCING SCHEDULE				
ASTM 615 - GRADE 60				
MARK	QTY	SIZE	LENGTH	WEIGHT (LBS)
HR1	173	#4	12'-6"	1445
HR2	130	#4	5'-6"	478
HR3	26	#4	9'-6"	165
VR1	52	#4	2'-9"	96
TOTAL WEIGHT				2183

REINFORCING STEEL NOTES:

- REINFORCING STEEL SHALL BE FREE OF ALL MUD, DEBRIS, CEMENT GROUT, LOOSE RUST, GREASE, AND OIL.
- TACK WELDING OF BARS IS PROHIBITED.

REVISIONS			
REV	BY	DATE	DESCRIPTION
3	JCR	12/4/2015	REVISED DIMENSIONS TO START FROM C.F. IN PLAN VIEW
2	JCR	2/1/2012	REVISED APPROACH NOTE; ADDED EXTRA HOLES FOR LOAD CELL CABLES
1	JCR	9/26/2011	MOVED BASE MODULE TO CENTER OF SCALE

THIS DRAWING IS SUPPLIED AS CHECKED BELOW:

REFERENCE (ESTIMATES ONLY, NOT FOR CONSTRUCTION)

CERTIFIED FOR CONSTRUCTION, THURMAN SERIAL#

CUSTOMER: _____ DATE: _____

CUSTOMER P.O.# _____ DATE: _____

(ORDER ON HOLD UNTIL SIGNED COPY IS RETURNED)

APPROVED AS DRAWING, APPROVED BY: _____ DATE: _____

APPROVED AS NOTED, APPROVED BY: _____ DATE: _____

8560 D'BACK XD 130K CLC

80' X 12'

FOUNDATION (5 SECTION, DB LC)

SCALE: NTS DRAWING NO. CHECKED: _____

SHEET: 1 OF 1 DATE: 08/24/08 APPROVED: _____

DRAWING NUMBER: 92445-FT REV: 3

THURMAN SCALE