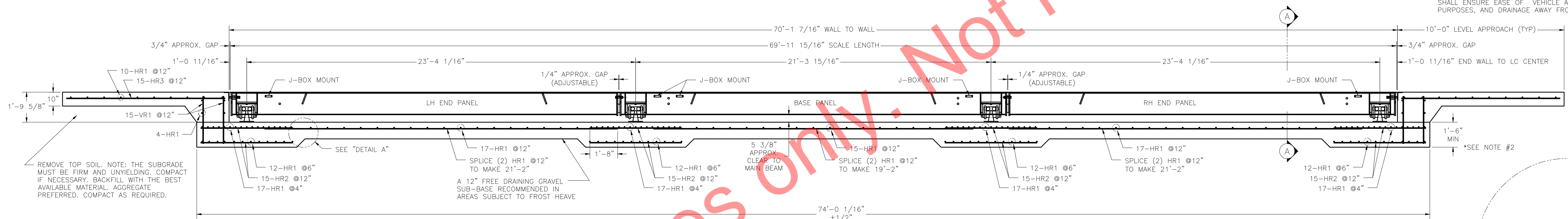


INSTALL (2) 3/4" X 8'-0" LONG GROUND RODS (TO PROJECT 3"), ONE FOR GROUNDING INTALOGIX POWER SUPPLY, ONE FOR GROUNDING SCALE WEIGHBRIDGE. POWER SUPPLY GROUND MUST BE SEPARATE FROM WEIGHBRIDGE GROUND. TWO GROUND RODS ARE SUPPLIED WITH SCALE.

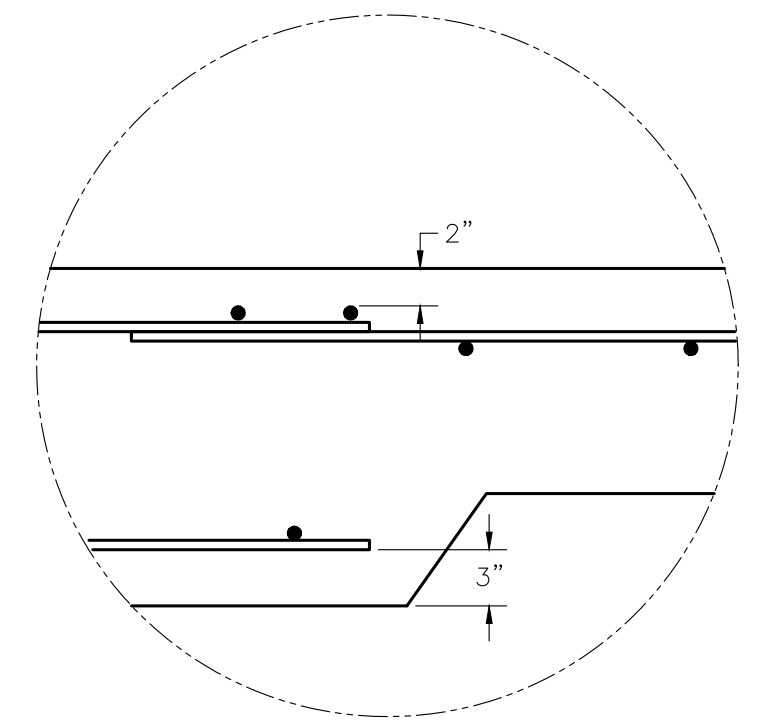
1" MIN. CONDUIT (BY OTHERS) FOR CABLE FROM JUNCTION BOX TO SCALEHOUSE. CONDUIT TO EXTEND 2" ABOVE THE TOP OF PIER.

PLAN VIEW

N.I.S.T. H-44 REQUIRES THAT ON THE APPROACH ENDS OF THIS VEHICLE SCALE, THERE SHALL BE A STRAIGHT APPROACH AT LEAST HALF THE LENGTH OF THE PLATFORM, BUT NOT REQUIRED TO BE MORE THAN 40 FEET. NOT LESS THAN 10 FEET OF ANY APPROACH ADJACENT TO THE PLATFORM SHALL BE LEVEL AND CONSTRUCTED OF CONCRETE OR SIMILAR DURABLE MATERIAL. ANY SLOPE IN THE REMAINING PORTION OF THE APPROACH SHALL ENSURE EASE OF VEHICLE ACCESS, EASE FOR TESTING PURPOSES, AND DRAINAGE AWAY FROM THE SCALE.



ELEVATION SECTION

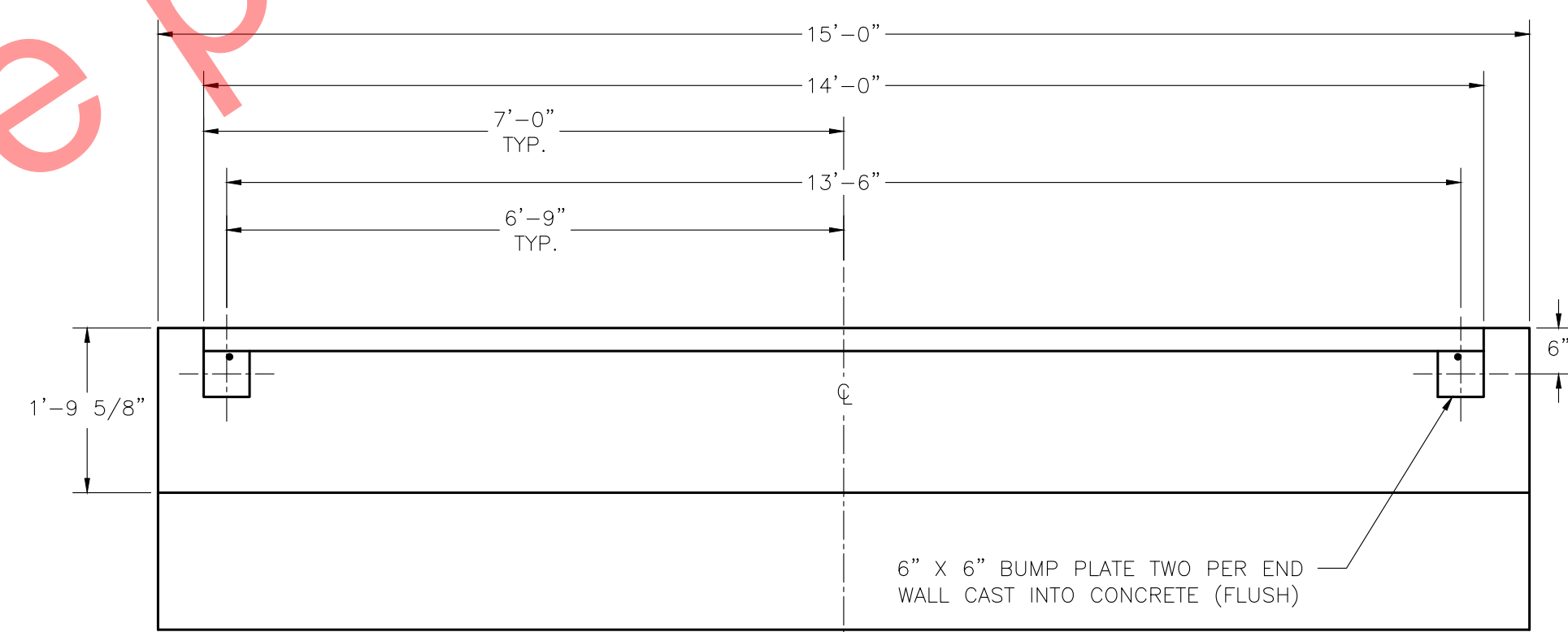


"DETAIL A"

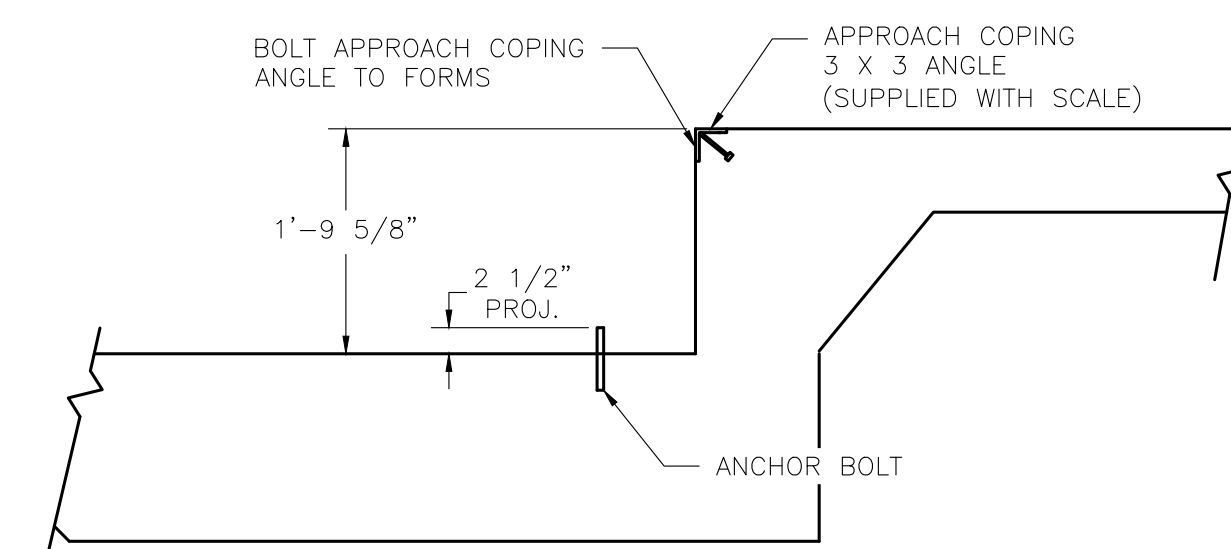
| FOUNDATION CONCRETE 4000 PSI MINIMUM | |
|---|---------------|
| LOCATION | QTY (CU. YDS) |
| SLAB | 48 |
| APPROACHES | 12 |
| TOTAL CONCRETE | 60 |

| FOUNDATION REINFORCING SCHEDULE ASTM 615 - GRADE 60 | | | | |
|--|-----|------|--------|--------------|
| MARK | QTY | SIZE | LENGTH | WEIGHT (LBS) |
| HR1 | 283 | #4 | 14'-6" | 2742 |
| HR2 | 120 | #4 | 5'-6" | 441 |
| HR3 | 30 | #4 | 9'-6" | 191 |
| VR1 | 60 | #4 | 2'-9" | 111 |
| TOTAL WEIGHT | | | | 3485 |

REINFORCING STEEL NOTES:
1. REINFORCING STEEL SHALL BE FREE OF ALL MUD, DEBRIS, CEMENT GROUT, LOOSE RUST, GREASE, AND OIL.
2. TACK WELDING OF BARS IS PROHIBITED.



SECTION A-A
END WALL/BUMPS



DRILL TYPE ANCHOR INFORMATION
(DRILL TYPE ANCHORS PROVIDED WITH THE SCALE)

FOR THE LC STANDS (16 REQUIRED)
5/8" DIA X 6" STUD TYPE ANCHORS
DRILL DIA 5/8", DRILL DEPTH 3 1/2"

ANCHOR DETAIL

NOTES:

- FOUNDATION SHOWN IS DESIGNED FOR SOILS WITH A MINIMUM BEARING CAPACITY OF 2000 PSF AND ADEQUATE DRAINAGE. IF SOIL CONDITIONS DO NOT MEET THESE REQUIREMENTS, ADJUST FOUNDATION OR SOIL CONDITIONS AS REQUIRED.
- IN AREAS OF THE COUNTRY WHERE THERE IS SEVERE FREEZING, INCREASE THE DEPTH OF THE FOUNDATION SO THAT THE BOTTOM EXTENDS BELOW THE FROST LINE, OR PROVIDE A MINIMUM OF 12" FREE DRAINING GRANULAR MATERIAL TO PREVENT FROST HEAVE.
- N.I.S.T. H-44 REQUIREMENTS AND LOCAL WEIGHTS AND MEASURES REGULATIONS MAY REQUIRE INSTALLATION PARAMETERS SOMEWHAT DIFFERENT THAN ILLUSTRATED ON THIS PLAN. IN ORDER TO INSURE COMPLIANCE, CONSULT THE LOCAL WEIGHTS & MEASURES OFFICE PRIOR TO CONSTRUCTION.
- REFER TO SCALE MANUAL FOR INSTALLATION AND OPERATION INSTRUCTIONS.
- A MINIMUM OF 24" OF CLEARANCE IS REQUIRED ON JUNCTION BOX SIDE OF THE SCALE NEAR THE BOX MOUNTS.

| REVISIONS | | | |
|-----------|-----|-----------|---|
| REV | BY | DATE | DESCRIPTION |
| 3 | JCR | 12/4/2015 | REVISED DIMENSIONS TO START FROM C IN PLAN VIEW |
| 2 | JCR | 2/1/2012 | REVISED APPROACH NOTE: ADDED EXTRA HOLES FOR LOAD CELL CABLES |
| 1 | JCR | 9/21/2011 | MOVED BASE MODULE TO CENTER OF SCALE |

THIS DRAWING IS SUPPLIED AS CHECKED BELOW:

- REFERENCE (ESTIMATES ONLY, NOT FOR CONSTRUCTION)
 CERTIFIED FOR CONSTRUCTION, THURMAN SERIAL#
 CUSTOMER: _____ DATE: _____
 CUSTOMER APPROVAL, RETURN ONE COPY.
 (ORDER ON HOLD UNTIL SIGNED COPY IS RETURNED)
 APPROVED AS DRAWING, APPROVED BY: _____ DATE: _____
 APPROVED AS NOTED, APPROVED BY: _____ DATE: _____

8560 D'BACK XD 130K CLC
70' X 14' (FULL SLAB)
4 SECTION, DB LC

THURMAN SCALE

SCALE: NTS DRAWN: BAL CHECKED: _____
 SHEET: 1 OF 1 DATE: 07/29/10 APPROVED: _____
 DRAWING NUMBER: 92442-SL REV: 3