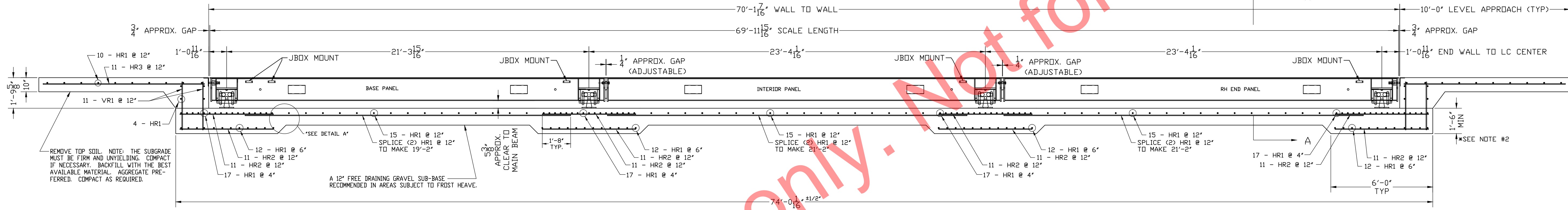


PLAN VIEW



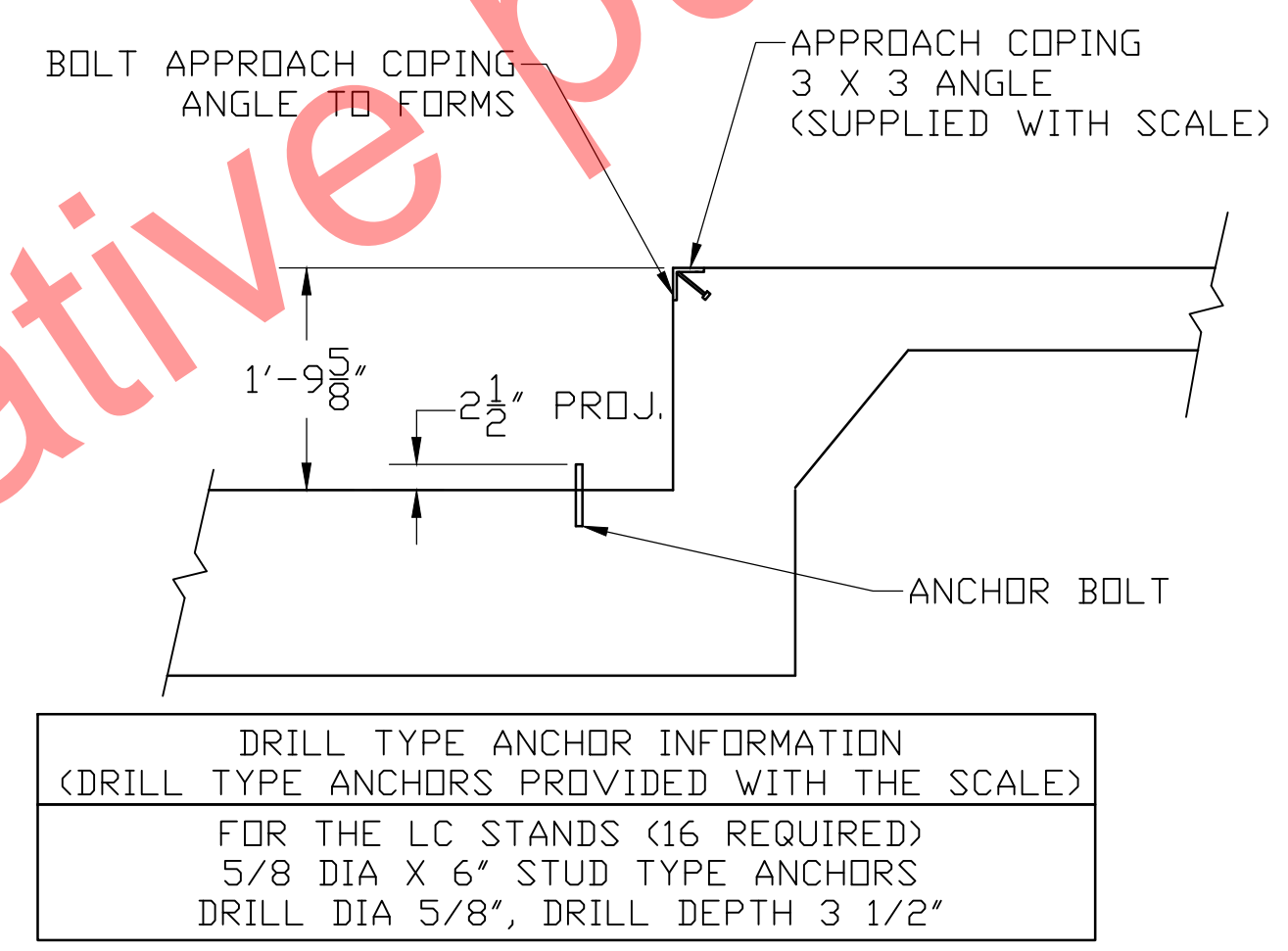
ELEVATION SECTION

FOUNDATION CONCRETE REQUIREMENTS	
4000 P.S.I.	
AREA	QUANTITIES
SLAB AS SHOWN	35.5 CU. YD.
APPROACHES	9 CU. YD.
TOTAL	44.5 CU. YD.

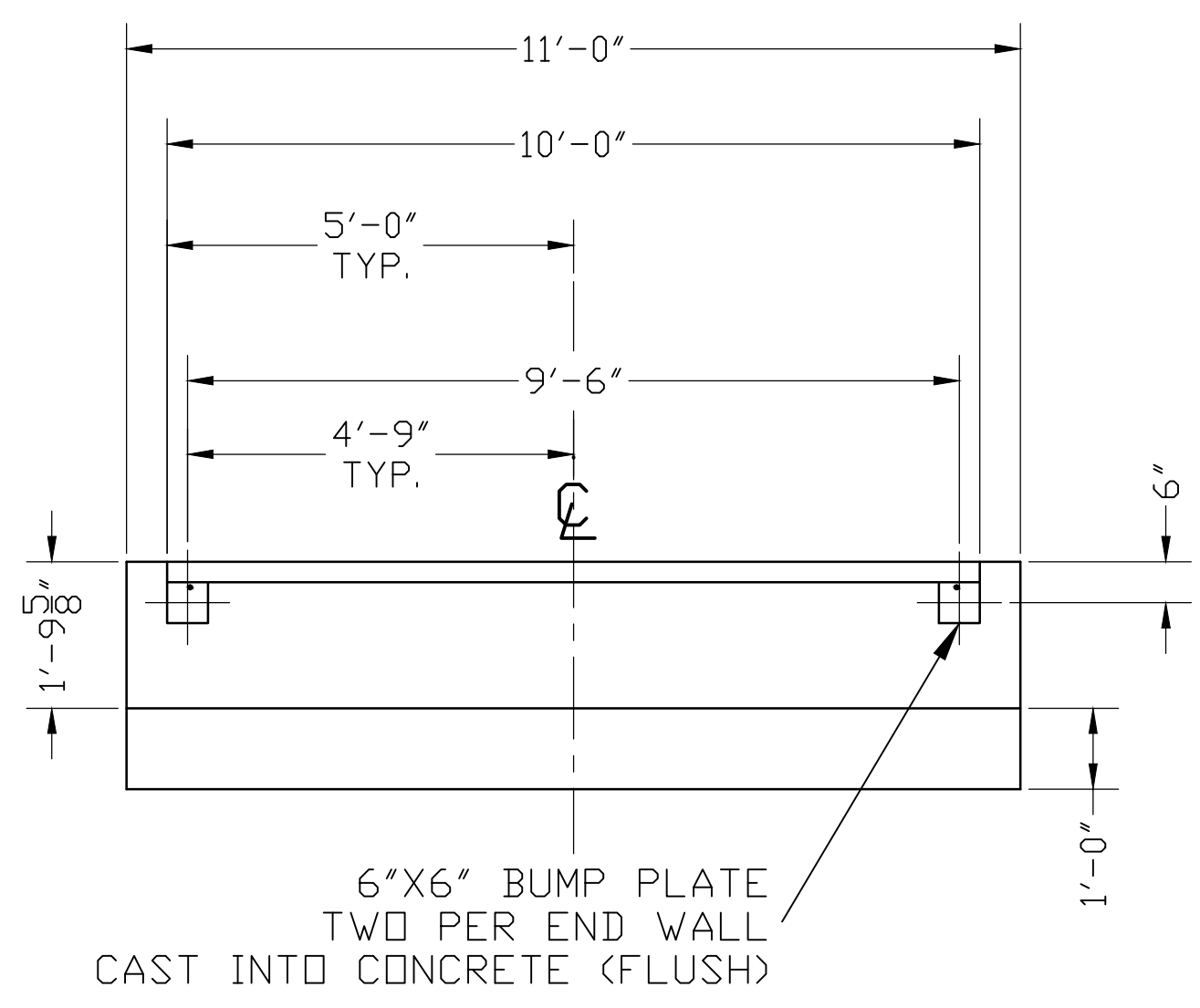
FOUNDATION REINFORCING BAR SCHEDULE				
ASTM A615 GRADE 60				
MARK NO.	REQ'D.	SIZE	LENGTH	WT.
HR1	255	#4	10'-6"	1789
HR2	88	#4	5'-6"	324
HR3	22	#4	9'-6"	140
VR1	44	#4	2'-9"	81
TOTAL WT:				2334

REINFORCING STEEL NOTES:

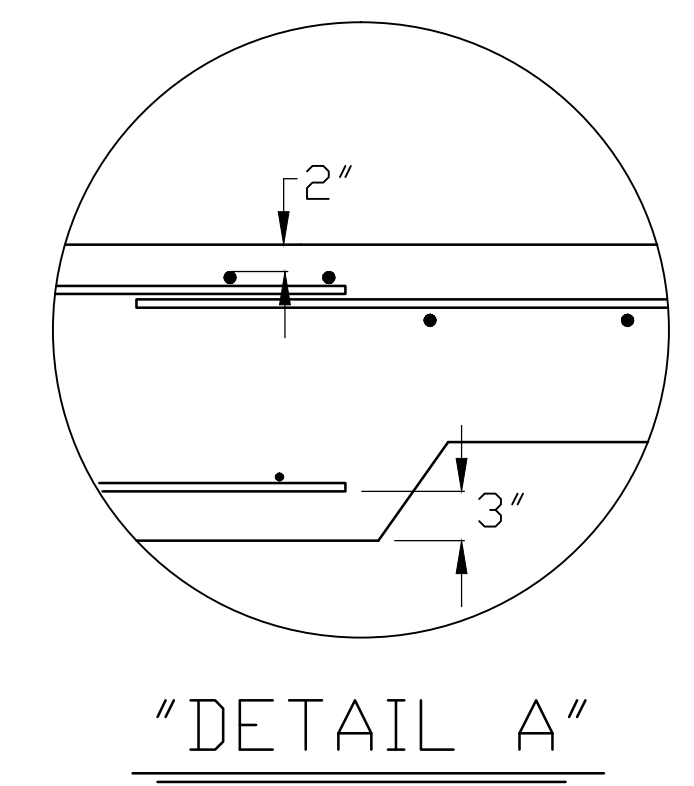
- REINFORCING STEEL SHALL BE FREE OF ALL MUD, DEBRIS, CEMENT GROUT, LOOSE RUST, GREASE, AND OIL.
- TACK WELDING OF BARS IS PROHIBITED.



ANCHOR DETAIL



SECTION A-A END WALL/BUMPS



"DETAIL A"

NOTES:

- FOUNDATION SHOWN IS DESIGNED FOR SOILS WITH A MINIMUM BEARING CAPACITY OF 2000 PSF AND ADEQUATE DRAINAGE. IF SOIL CONDITIONS DO NOT MEET THESE REQUIREMENTS, ADJUST FOUNDATION OR SOIL CONDITIONS AS REQUIRED.
- IN AREAS OF THE COUNTRY WHERE THERE IS SEVERE FREEZING, INCREASE THE DEPTH OF THE FOUNDATION SO THAT THE BOTTOM EXTENDS BELOW THE FROST LINE, OR PROVIDE A MINIMUM OF 12" FREE DRAINING GRANULAR MATERIAL TO PREVENT FROST HEAVE.
- N.I.S.T. H-44 REQUIREMENTS AND LOCAL WEIGHTS AND MEASURES REGULATIONS MAY REQUIRE INSTALLATION PARAMETERS SOMEWHAT DIFFERENT THAN ILLUSTRATED ON THIS PLAN. IN ORDER TO INSURE COMPLIANCE, CONSULT THE LOCAL WEIGHTS & MEASURES OFFICE PRIOR TO CONSTRUCTION.
- REFER TO SCALE MANUAL FOR INSTALLATION AND OPERATION INSTRUCTIONS.
- A MINIMUM OF 24" OF CLEARANCE IS REQUIRED ON JUNCTION BOX SIDE OF THE SCALE NEAR THE BOX MOUNTS.

LET	BY	DATE	REVISION
			MADE FROM 92439-FTO

THURMAN SCALE
COLUMBUS, OH

8560 D'BACK XD 130K CLC
70' X 10' (FULL SLAB)
4 SECTION (DB, LC)

DATE	5/21/12
SCALE	N/A
DRAWN BY	JCR
CHECKED BY	
APPROVED BY	

DRAWING NUMBER	92439-SL
REVISION	0

THIS DRAWING IS SUPPLIED AS CHECKED BELOW:

REFERENCE (ESTIMATES ONLY, NOT FOR CONSTRUCTION)

CERTIFIED FOR CONSTRUCTION, THURMAN #

CUSTOMER: _____ DATE: _____

CUSTOMER P.O.# _____

CUSTOMER APPROVAL, RETURN ONE COPY. (ORDER ON HOLD UNTIL SIGNED COPY IS RETURNED)

APPROVED AS DRAWN, APPROVED BY: _____ DATE: _____

APPROVED AS NOTED, APPROVED BY: _____ DATE: _____

THE MATERIAL AND INFORMATION CONTAINED HEREIN IS CONFIDENTIAL AND IS THE PROPERTY OF THURMAN SCALE COMPANY AND IS NOT TO BE USED, DISCLOSED, COPIED, TRANSMITTED, OR REPRODUCED WITHOUT THE PRIOR WRITTEN PERMISSION OF THURMAN SCALE COMPANY.

UNLESS OTHERWISE SPECIFIED: DIMENSIONS ARE IN INCHES TOLERANCES: FRACTIONS ±1/8" ±1" ±3-PLACE DECIMAL ±0.005 ±0.05 HOLE DIAMETERS ±1/32"

MATERIAL: A36 FINISH: N/A